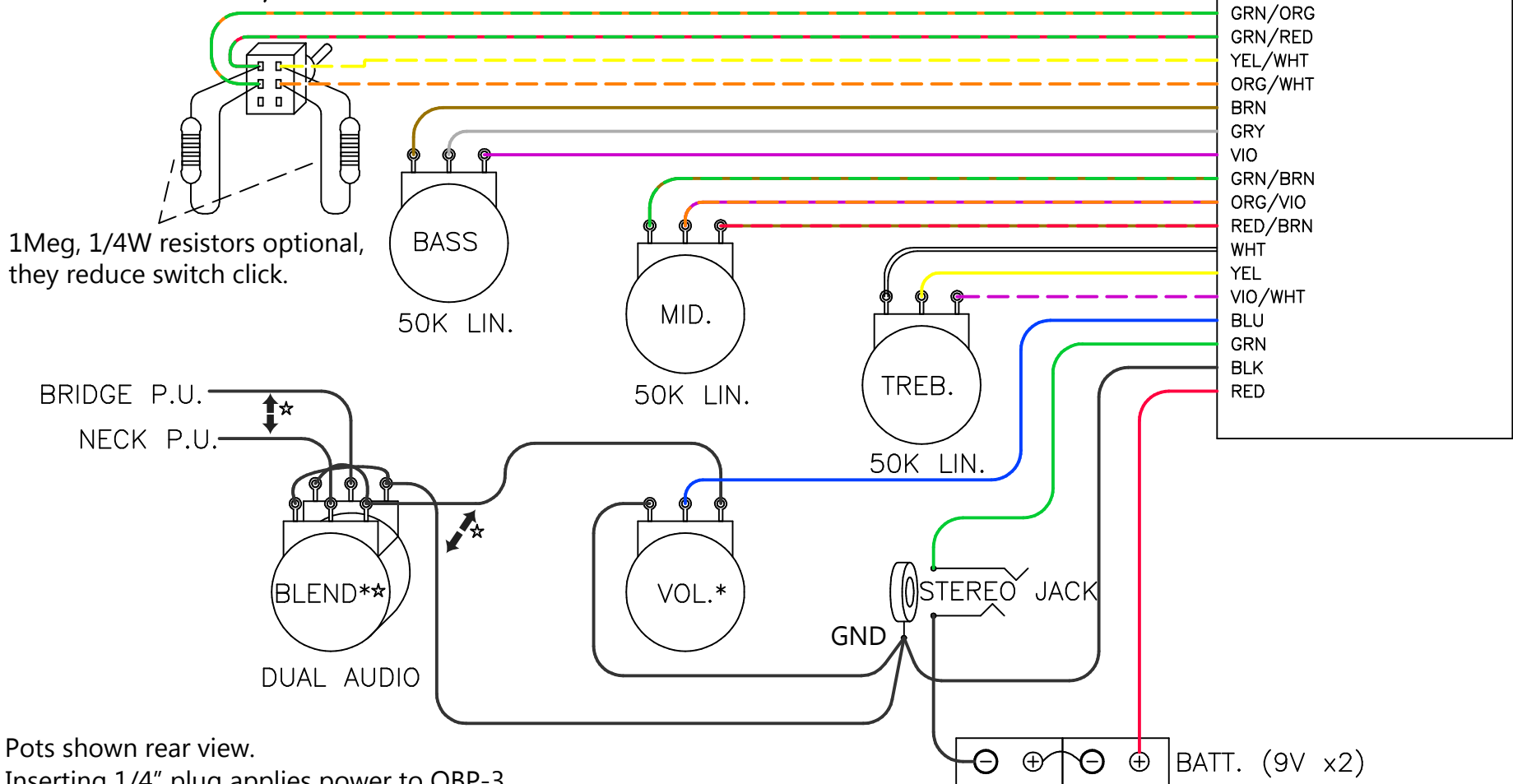




# AGUILAR OBP-3 WIRING DIAGRAM WITH BLEND AND VOLUME CONTROL

MID. SELECT  
Switch closed = 400 Hz  
Switch open = 800 Hz  
DPDT, ON-ON

OBP-3 MODULE



Pots shown rear view.

Inserting 1/4" plug applies power to OBP-3.

\*Value depends on pickups. Use values recommended by pickup manufacturer.

★To wire MN (1Z2Z) taper potentiometer, swap positions of the following wires: Bridge P.U. and Neck P.U.; Volume jumper and GND.

For single pickup, eliminate blend pot - wire pickup directly to volume pot.

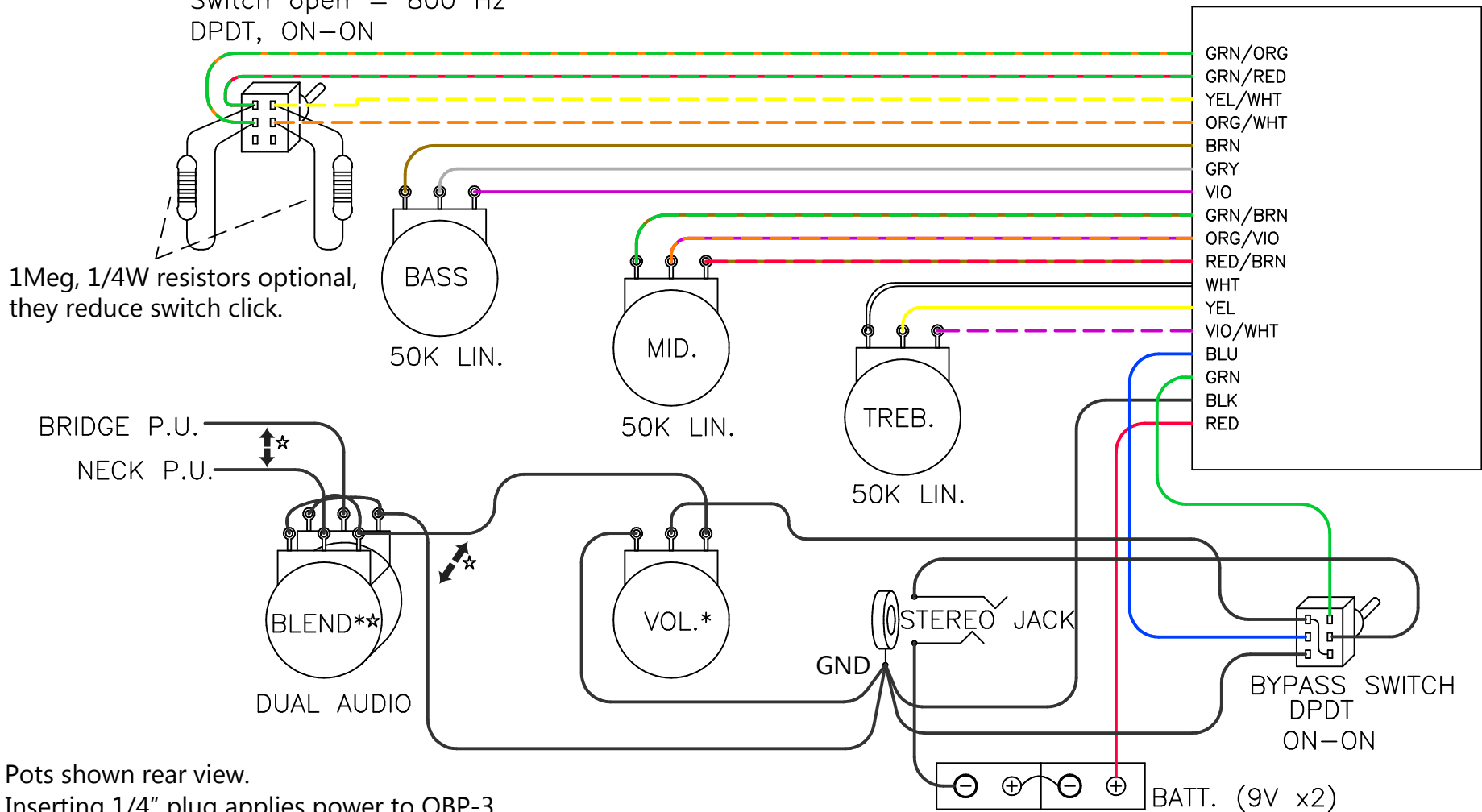
MID.SELECT switch can be a stand alone switch or part of the push-pull potentiometer. Wiring is the same in both cases.



# AGUILAR OBP-3 WIRING DIAGRAM WITH BLEND, VOLUME CONTROL, AND BYPASS SWITCH

MID. SELECT  
Switch closed = 400 Hz  
Switch open = 800 Hz  
DPDT, ON-ON

OBP-3 MODULE



1Meg, 1/4W resistors optional,  
they reduce switch click.

BRIDGE P.U.  
NECK P.U.

BASS  
50K LIN.

MID.  
50K LIN.

TREB.  
50K LIN.

BLEND\*\*  
DUAL AUDIO

VOL.\*

STEREO JACK  
GND

BYPASS SWITCH  
DPDT  
ON-ON

BATT. (9V x2)

Pots shown rear view.

Inserting 1/4" plug applies power to OBP-3.

\*Value depends on pickups. Use values recommended by pickup manufacturer.

\*\*To wire MN (1Z2Z) taper potentiometer, swap positions of the following wires: Bridge P.U. and Neck P.U.; Volume jumper and GND.

For single pickup, eliminate blend pot - wire pickup directly to volume pot.

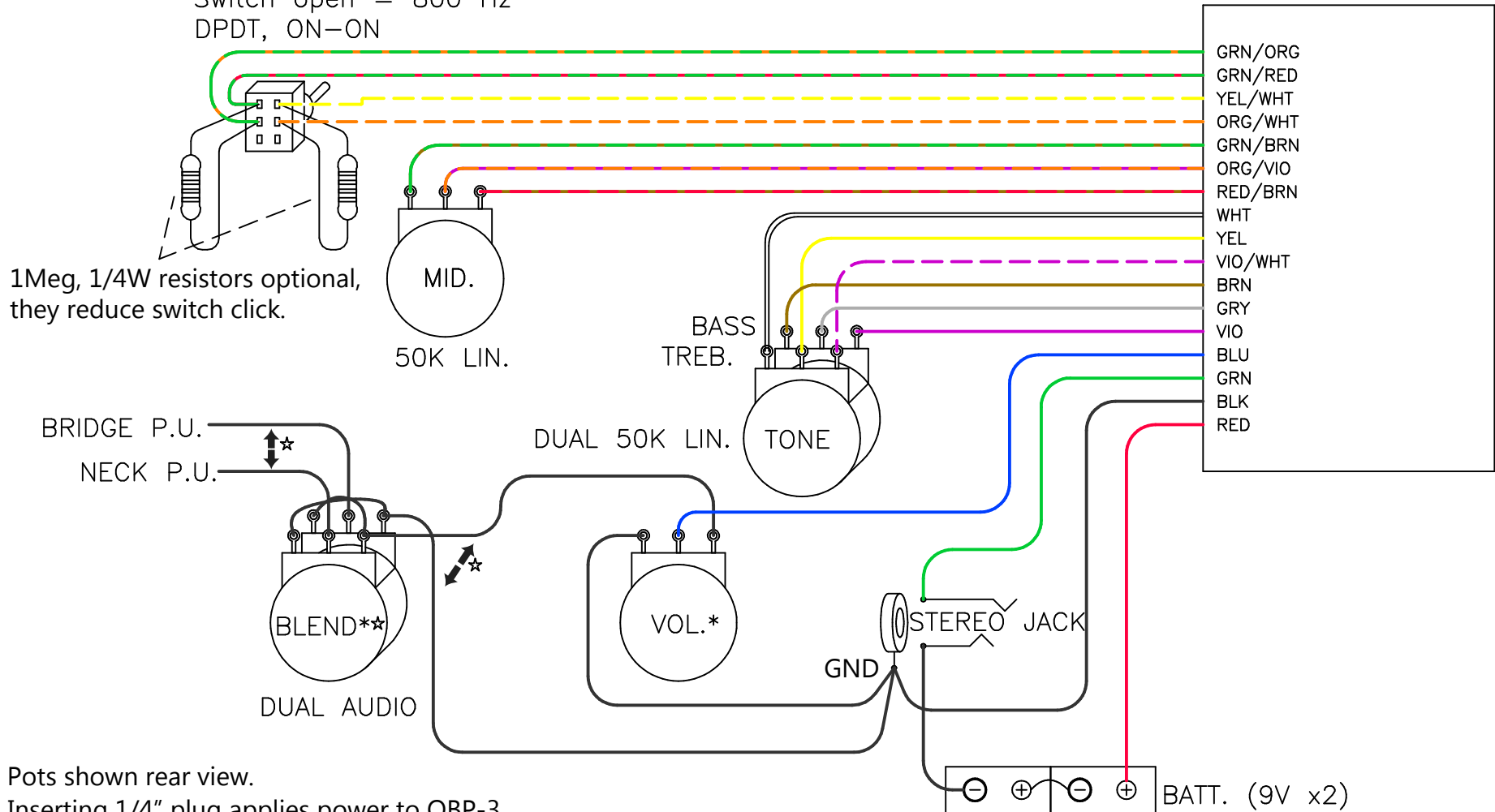
MID.SELECT switch can be a stand alone switch or part of the push-pull potentiometer. Wiring is the same in both cases.



# AGUILAR OBP-3 WIRING DIAGRAM WITH BLEND, VOLUME CONTROL, AND STACKED TONE POT

MID. SELECT  
Switch closed = 400 Hz  
Switch open = 800 Hz  
DPDT, ON-ON

OBP-3 MODULE



1Meg, 1/4W resistors optional,  
they reduce switch click.

MID.  
50K LIN.

BASS  
TREB.  
TONE  
DUAL 50K LIN.

BRIDGE P.U.  
NECK P.U.

BLEND\*\*  
DUAL AUDIO

VOL.\*

STEREO JACK  
GND

GRN/ORG  
GRN/RED  
YEL/WHT  
ORG/WHT  
GRN/BRN  
ORG/VIO  
RED/BRN  
WHT  
YEL  
VIO/WHT  
BRN  
GRY  
VIO  
BLU  
GRN  
BLK  
RED

BATT. (9V x2)

Pots shown rear view.

Inserting 1/4" plug applies power to OBP-3.

\*Value depends on pickups. Use values recommended by pickup manufacturer.

★To wire MN (1Z2Z) taper potentiometer, swap positions of the following wires: Bridge P.U. and Neck P.U.; Volume jumper and GND. For single pickup, eliminate blend pot - wire pickup directly to volume pot.

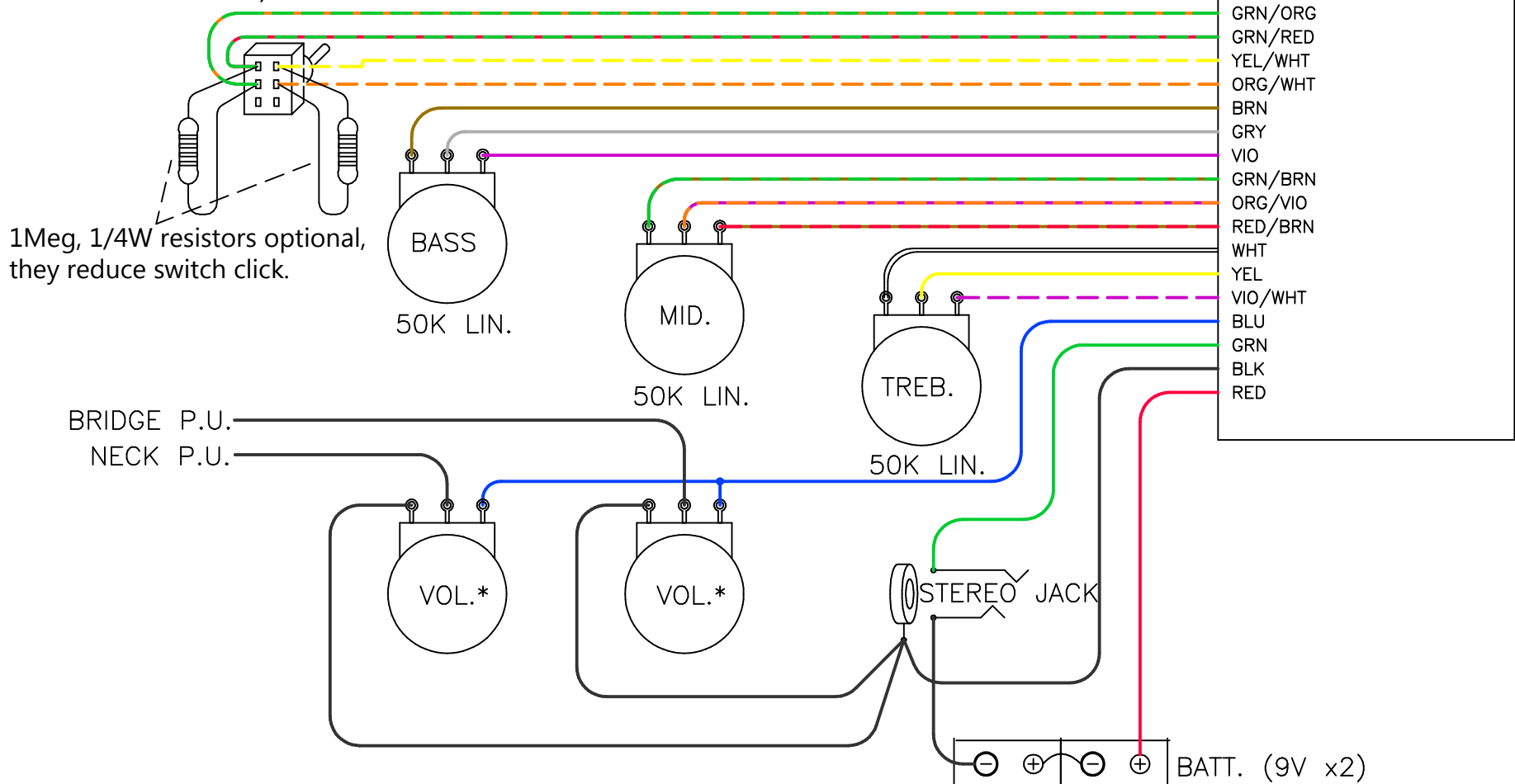
MID.SELECT switch can be a stand alone switch or part of the push-pull potentiometer. Wiring is the same in both cases.



# AGUILAR OBP-3 WIRING DIAGRAM WITH TWO VOLUME CONTROLS

MID. SELECT  
Switch closed = 400 Hz  
Switch open = 800 Hz  
DPDT, ON-ON

OBP-3 MODULE



1Meg, 1/4W resistors optional,  
they reduce switch click.

BRIDGE P.U.  
NECK P.U.

Pots shown rear view.

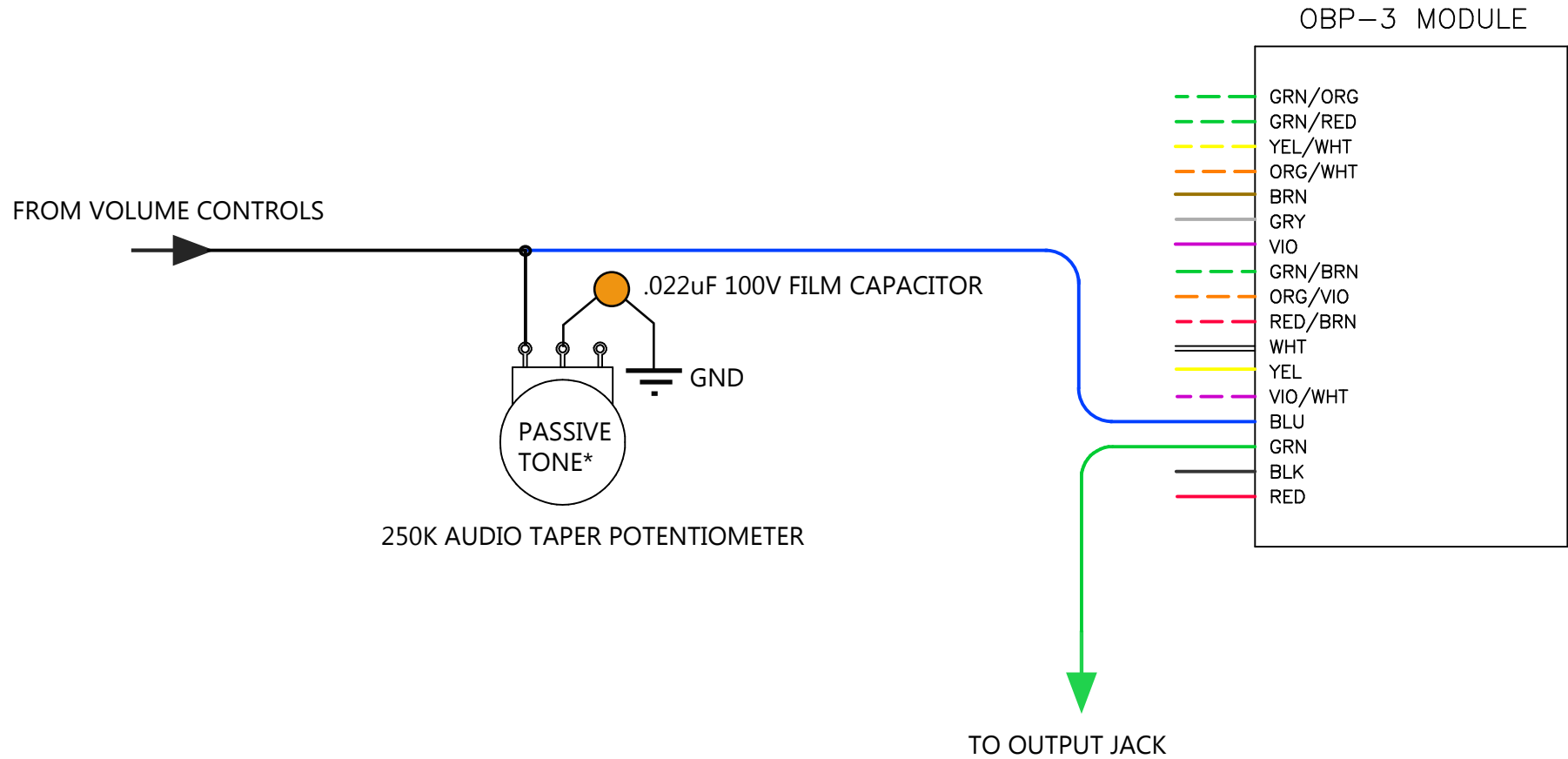
Inserting 1/4" plug applies power to OBP-3.

\*Value depends on pickups. Use values recommended by pickup manufacturer.

MID.SELECT switch can be a stand alone switch or part of the push-pull potentiometer. Wiring is the same in both cases.



# AGUILAR OBP-3 WIRING DIAGRAM ADDING PASSIVE TONE CONTROL

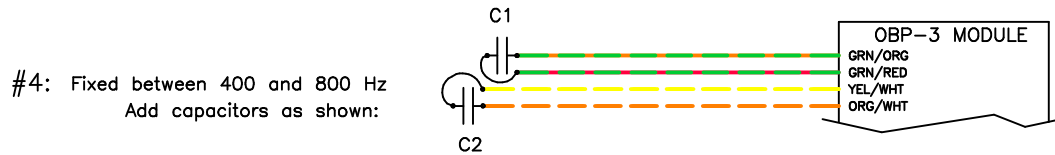
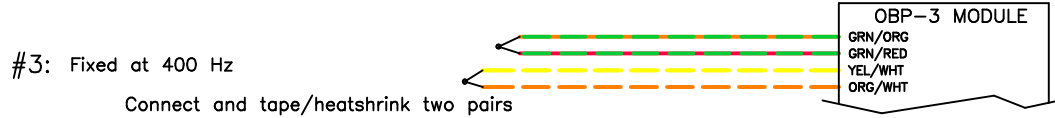
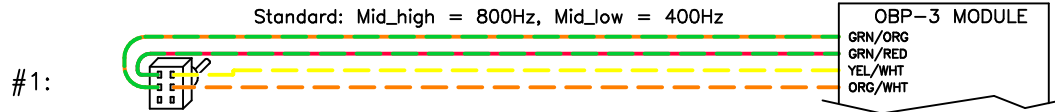


Pots shown rear view.

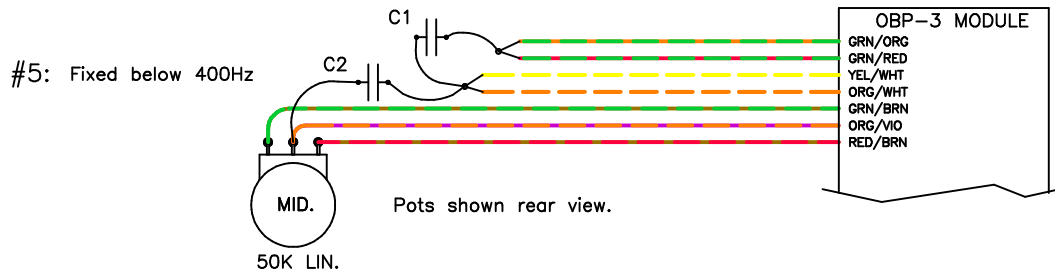
\*Optional. A passive tone control can be added to any of the wiring schemes on pages 1-4.



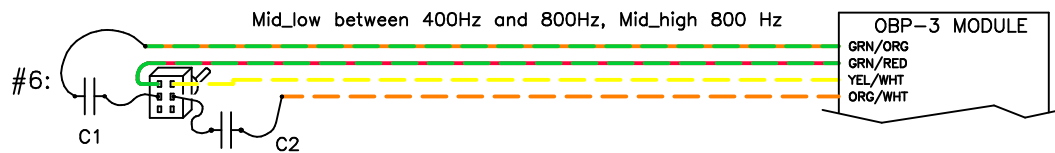
## AGUILAR OBP-3 WIRING DIAGRAM MIDRANGE OPTIONS



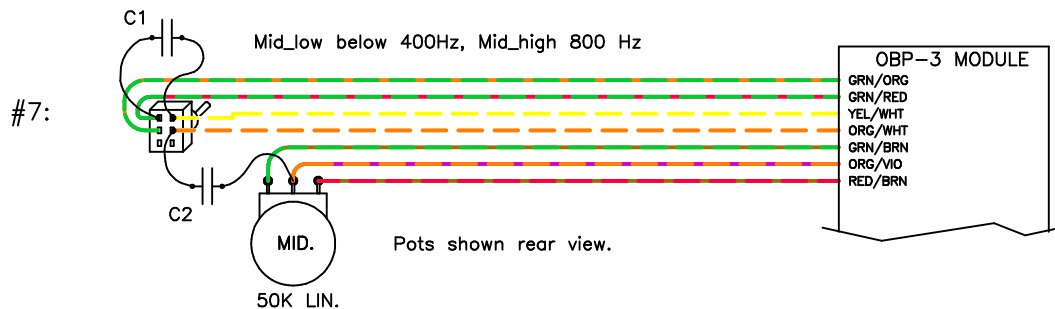
freq.(Hz)	C1(uF)	C2(uF)
450	.008	.270
500	.003	.127
550	.0016	.072
600	.0011	.043



freq.(Hz)	C1(uF)	C2(uF)
200	.004	.190
250	.0024	.112
300	.0013	.060
350	.0006	.023



freq.(Hz)	C1(uF)	C2(uF)
450	.008	.270
500	.003	.127
550	.0016	.072
600	.0011	.043



freq.(Hz)	C1(uF)	C2(uF)
200	.004	.190
250	.0024	.112
300	.0013	.060
350	.0006	.023

MID.SELECT switch can be a stand alone switch or part of the push-pull potentiometer.  
Wiring is the same in both cases.